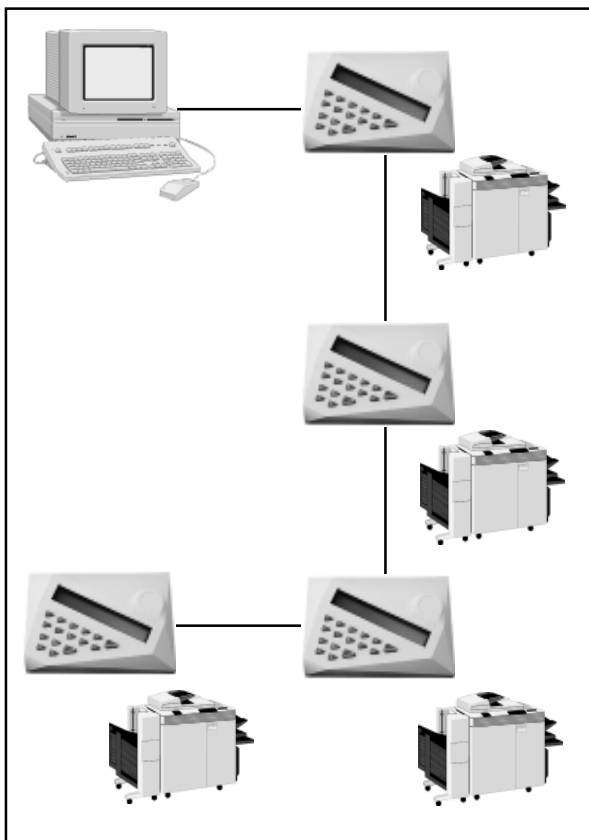


KCC-Net[™] System

Extremely flexible PIN-number copier access system allows data collection by LAN, modem or direct connection.



- All programming and maintenance performed through KCC-Net Software
- Maintenance-Free
- Automatic collection and collation of data
- Six Access Levels
- User programmable prompts
- User programmable run limits and individual maintenance run limits
- Auto-Enable[™] access feature
- Compatible with all copiers

HIGH TECH
1-800-541-9079
www.hightech-ai.com

HECON® KCC-Net™ System

Definitions

Access Level - One of up to six different number series' that can be used to allocate cost. For example, Access Level 1 may be a user's social security number, while Access Level 2 may be a client number which will be billed for copies made, etc. The KCC-Net™ will record how many copies were made by each user, and also record how many copies were made for each client, etc.

Access Number - The number that is entered in a specific Access Level. For example, if Access Level 1 is for users, and social security numbers are being used, John Doe's Access Number may be 123456789. In the KCC-Net™ product, Access Numbers at any level may be from one to ten digits long.

Administrator - The person responsible for operation of the KCC-Net™ system.

Auto-Enable™ - A function that causes the controller to automatically create a new Access Number without the need for a key operator to pre-authorize it. If the Access Number already exists, copies will be added to it.

Billboard - The message that scrolls on the KCC-Net™ screen when no Access Number has been entered. This message may tell users what number to enter first, may tell them what extension to call for service, or may promote a company softball game. It can be any message the administrator wishes, up to a maximum of 100 characters.

Collation - As applies to copier control systems, the ability to add together usage made against the same Access Number on multiple copiers, yielding a single total for that Access Number.

Date/Time Stamp - The date and time that data has been collected from the controller. This date/time is attached to the record of the transaction. If data is collected daily, the date represents when copies were made.

Global Copy Limit - The number of copies that can be made against a given Access Number on the entire network of KCC-Net™ controllers. Once data is collected and collated, comparisons are made against this limit for each Access Number, and the Access Number is disabled in all controllers if the limit is exceeded.

Global Changes - Changes made to all controllers or Access Numbers at one time, eliminating the need to re-enter the same information repeatedly.

Local Copy Limit - The number of copies that can be made against a given Access Number on a specific controller.

Maintenance Run Limit - When a given copier makes this number of copies, an alarm is activated at the KCC-Net™ software. This alarm is a warning and may be used to alert the key operator to perform such functions as calling for service, ordering toner, etc. KCC-Net™ has three Maintenance Run Limits, one of which can disable the copier when reached.

Prompts - The word or words that are displayed at a given Access Level. If an Access Level is for users, for example, the prompt for this level may be "USERS".

Run Limit - The maximum number of copies that may be run at one time. When this limit is reached, the KCC-Net™ controller will disable the copier. Run Limits are used to encourage users to go to machines designed for higher volume usage, even though they may not be located as conveniently as a lower volume machine.

Timeout - The length of time the KCC-Net™ controller will keep the copier enabled without any copies being made. The KCC-Net™ has two timeouts, one for the first pulse, and a separate one for all subsequent pulses. This is designed to better accommodate digital copiers, which may scan multiple originals before making any copies. Timeouts can be disabled (and hence never time out) or be set to values from 5 to 4000 seconds.



The KCC-Net™ controller's modern design is easy to read, easy to operate, and has a compact, space-saving size. It may be mounted on the copier, or on a wall or table nearby, using HECON® mounting brackets.

H ECON® was at the forefront of the PIN-access copier control industry with the introduction of the original KCC™ product in 1987. Since then, we have maintained our leadership position with products for specific markets, such as the KCCL™ for legal applications, and products for specific equipment, such as the KCCD™ for stencil duplicators. The latest in this continuing evolution is the KCC-Net™. The KCC-Net™ is the product of HECON's decade-plus experience with PIN access copier control, and over 35 years experience in copier control overall.

We have packed into the KCC-Net™ virtually every feature we have been asked for since the KCC's introduction. Features like six levels of access, 10 digit Access Numbers, and maximum user flexibility. The KCC-Net™ system is so flexible that the user decides how many Access Numbers are in each Access Level, what order they are presented in, what they are called in the display, whether the Auto-Enable™ feature is active and much, much more. The hardware for the KCC-Net™ controller is based on the tried and true KCCims™-4000 for maximum reliability. And KCC-Net™ controllers can be accessed remotely, either via a hard-wire network, dial-up modems, or direct connection to a laptop.

The heart of the KCC-Net™ system is the KCC-Net™ software. The software itself is Windows® 95/98/NT-compatible, so operation is easy; just point and click! All setup and configuration of the controllers is done via this software, as is the entry of Access Level data such as user, account number, client, matter, department, job, etc. Complete information on each user, such as address, phone number, or customer-defined ID fields, can be stored in the software and used to generate reports or exportable files. Access Level names are programmable, so users see terminology with which they are familiar. Administrators can search, sort, or select on virtually any field. Usage reports can be based on dates when data is collected, or particular copiers, Access Levels, or virtually any other field. Access Level data can be imported from text files, or even from existing HECON® KCCplus, KCCL, KCCims™, or KCCims™-4000 controllers, making upgrading a snap!

| Access No | Last Name | First Name | ID1 | Global Balance | Global Balance After Rec'd | ID2 |
|-----------|-----------|------------|-------------------|----------------|----------------------------|--------|
| 1 | Clark | Steven | Accounting | 60 | 0 | dept 2 |
| 2 | Warren | Joe | Human Resources | 60 | 0 | |
| 3 | Jones | Martha | Sales & Marketing | 60 | 0 | |
| 4 | Pizzoli | Jeff | Sales & Marketing | 60 | 0 | |
| 5 | Smith | Jenny | Human Resources | 60 | 0 | |
| 6 | Lloyd | Brian | Sales & Marketing | 60 | 0 | |
| 7 | Miller | Mark | Accounting | 60 | 0 | |
| 8 | Thomas | Robert | Sales & Marketing | 60 | 0 | |
| 9 | Hagen | Lisa | Sales & Marketing | 60 | 0 | |
| 100000010 | Noose | Thomas | Sales & Marketing | 60 | 0 | |

All Access Numbers can be displayed along with their settings. Single screens provide detail for a specific Access Number. The name applied to the Access Level, in this case "Users", is shown in the header.

| Location No | KCC-Net Description | KCC-Net ID1 | Cost per Copy | Run Limit | Billboard |
|-------------|--------------------------------|--------------|---------------|-----------|------------------------------|
| 1111 | Lobby, Xerox 3060 | First Floor | \$0.05 | 65,530 | Please Enter User Number and |
| 1112 | President's Office, Canon 6050 | First Floor | \$0.05 | 65,530 | Please Press User Number and |
| 1113 | Second Floor, Canon 6650 | Second Floor | \$0.05 | 65,530 | Please Enter User Number and |
| 8315 | Added by Add/Configure | | \$0.05 | 65,530 | HECON KCC-Net ENTE |

All KCC-Net™ Controllers and their settings are displayed here. Separate screens show detailed controller configurations, usage detail by copier, and the access granted to various Access Numbers. Note the Search Pattern, Sort Order and Selection tabs, which facilitate those functions via fields located above the data.

Reports can be generated easily and allow the administrator to select and sort the data as desired. Administrator-defined ID fields for both controllers and Access Numbers allow quick and easy sorting in virtually any manner required. Usage data can alternatively be exported to a text file for import and manipulation within other software packages.

Report: Displayed Copy Usage of Current KCC-Net Controller
 Start Date (=): 4/1/99 End Date (=): 6/1/99

| Location No | Description | Number Copies | Cops/Coat |
|---------------------------|-------------|---------------|-----------|
| Subtotal for Access No. 1 | | 15 | 60.75 |
| Subtotal for Access No. 2 | | 15 | 60.75 |
| Subtotal for Access No. 3 | | 15 | 60.75 |
| Subtotal for Access No. 4 | | 15 | 60.75 |
| Subtotal for Access No. 5 | | 15 | 60.75 |

Summary:
 Number of Printed Records: 5
 Total for All Printed Records: Number Copies: 75 Cops/Coat: 60.75

This is a preview of one of the many report configurations that can be generated. The report can show summaries only, by Access Levels, or by controllers (identified by their location code).

Be sure to review the Features and Benefits of the KCC-Net™ listed to the right. We're sure you'll agree this is one of the most versatile PIN-access systems ever made, and its versatility means it'll meet your application needs. Install the HECON® KCC-Net™, and get control of your costs!

Features and Benefits

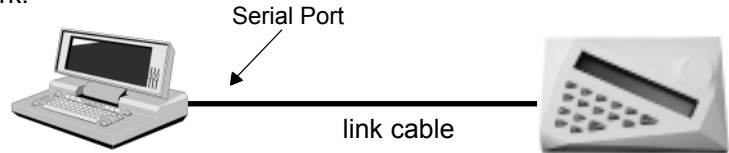
- ◆ Maintenance-Free PIN access system for trouble-free operation
- ◆ All programming and maintenance is performed through software; no need to program through controller keyboard
- ◆ Automatic collection and collation of data saves time
- ◆ Communication between computer and controllers can be by LAN, dial-up network, or direct connect cable to match the application
- ◆ Six Access Levels for maximum allocation of expenses
- ◆ 3,500 Access Numbers (one to 10 digits in length at all Access Levels) handle large applications
- ◆ Administrator programmable prompts so users employ terminology they know
- ◆ Administrator programmable run limits force users to more economical copiers for bigger jobs.
- ◆ Compatible with all copiers
- ◆ Three individual maintenance run limits notify the administrator when it's time to change drums, call for maintenance, shift usage to another machine due to reaching the maximum monthly allocation, etc.
- ◆ Optional Auto-Enable™ access feature automatically sets up new Access Numbers without the need for a key operator to pre-authorize it
- ◆ Individual cost per copy for each copier allows different rates for different machines
- ◆ Administrator selects how many Access Numbers in each Access Level to provide a custom fit to the application
- ◆ Sequence in which Access Levels are presented can be administrator set and may vary from machine to machine for flexibility
- ◆ Individual copy limits for each Access Number both per copier and for the entire system for maximum control
- ◆ Special, first-pulse timeout for use with digital copiers
- ◆ Software is password protected for security
- ◆ Search, sort or select data based on time or other data fields
- ◆ Import function allows importing of Access Level data from text files and HECON® controllers (KCCplus, KCCL, KCCims™ or KCCims™-4000)
- ◆ Export feature allows selection of which fields to export to match the system for which the data is intended
- ◆ Report generator allows administrator to select only the information desired for reports
- ◆ Print preview allows viewing report formats and appearance before printing
- ◆ Default fields allow rapid entry of new controller and access number data
- ◆ Date/Time stamp in each record indicates when data was collected
- ◆ Administrator-defined billboard allows custom messages to users of each copier
- ◆ Transfers can be scheduled for a later date and time
- ◆ Multiple administrator-defined fields for customer sorting, grouping, etc.
- ◆ Entered Access Numbers can be blanked on controller display for security
- ◆ Global field changes allow changes to be made to all controllers or Access Numbers at one time
- ◆ Transfer options allow adjustment of how controllers will be handled during data communications
- ◆ Add/Configure function automatically locates new controllers, configures them, and adds them to the database
- ◆ Function activated when double-clicking is administrator-selectable
- ◆ Configuration of existing controllers or Access Numbers can be copied to new controllers or Access Numbers to save set up time
- ◆ Function allows removal and restoration of old records to save space and keep the database organized
- ◆ Special print feature allows printing of labels for mailing lists, etc.

Data Communication

There are four options available for communication with the KCC-Net™ System. They include: direct connection, modem direct, local node network (LAN) and modem/node network.

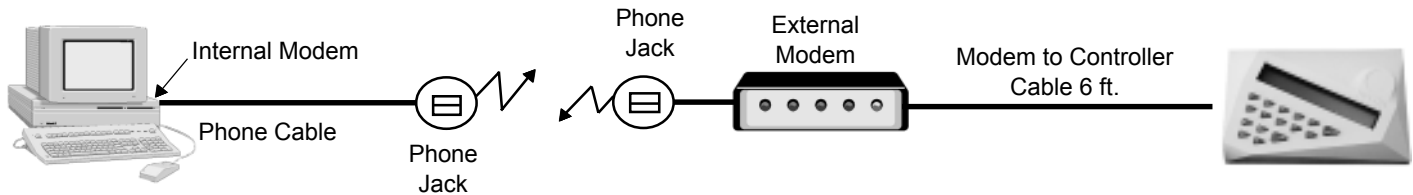
Option 1 - Direct Connection

Enables information to be transferred to and from each controller via a link cable connected to a laptop.



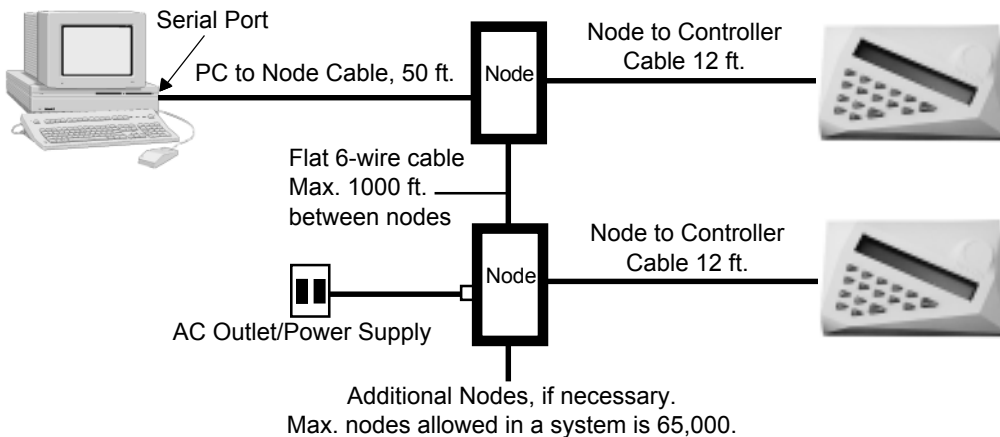
Option 2 - Modem Direct

Links controllers to computer using analog phone lines, from building to building or across the country.



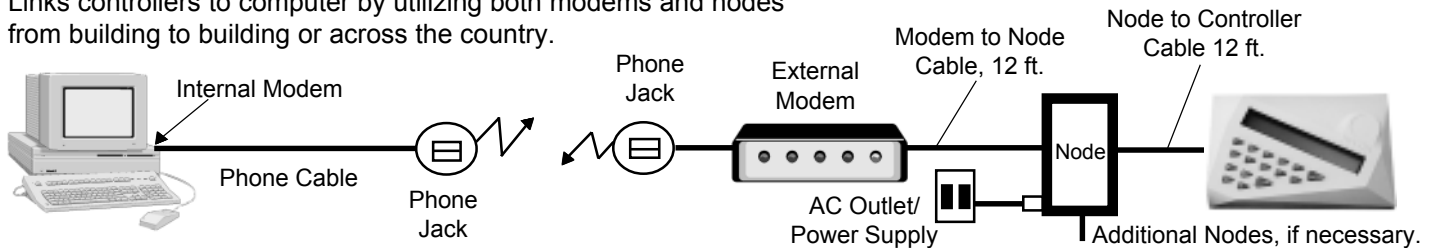
Option 3 - Local Node Network (LAN)

Links controllers to computer by using nodes which are connected by dedicated, 6-wire phone cable. Nodes can be up to 1000 feet apart.



Option 4 - Modem/Node Network

Links controllers to computer by utilizing both modems and nodes from building to building or across the country.



Minimum System Requirements

- Pentium processor, 100 MHz minimum, running Windows® 95/98 or Windows® NT
- 32 MB RAM minimum
- Hard drive with at least 12 MB of free space for software application. Additional hard drive space needed will be dependent upon controller data, user records and copy usage data.

HECON®
A Danaher Company

High Tech Accessory Items, Inc.
3505 Sunset Avenue • Rocky Mount, NC 27804
1-800-541-9079 • FAX: 252-937-3847 • International 252-937-4991
www.hightech-ai.com • email: sales@hightech-ai.comai.com